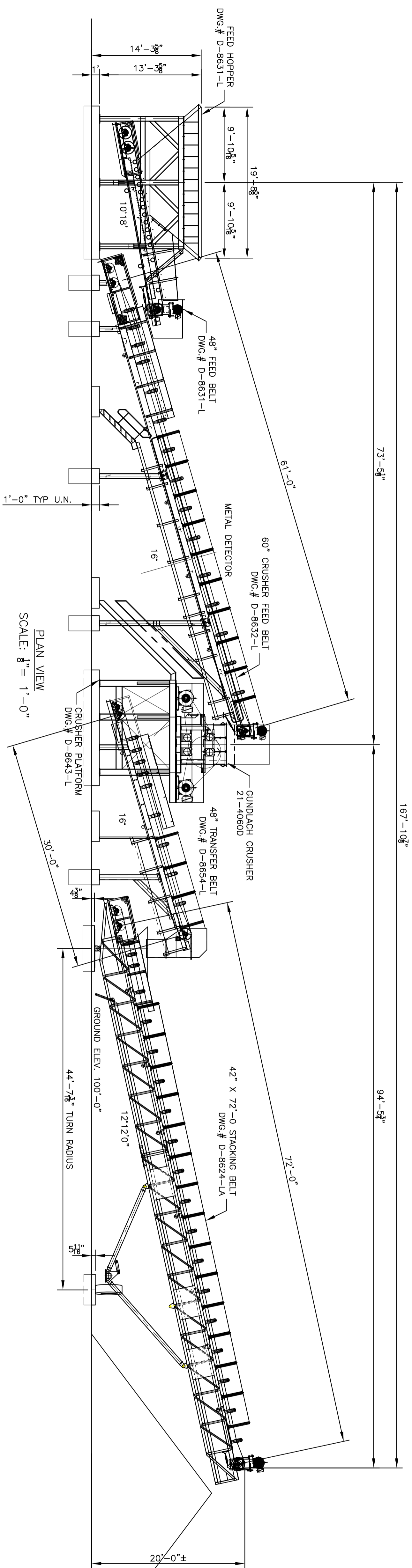
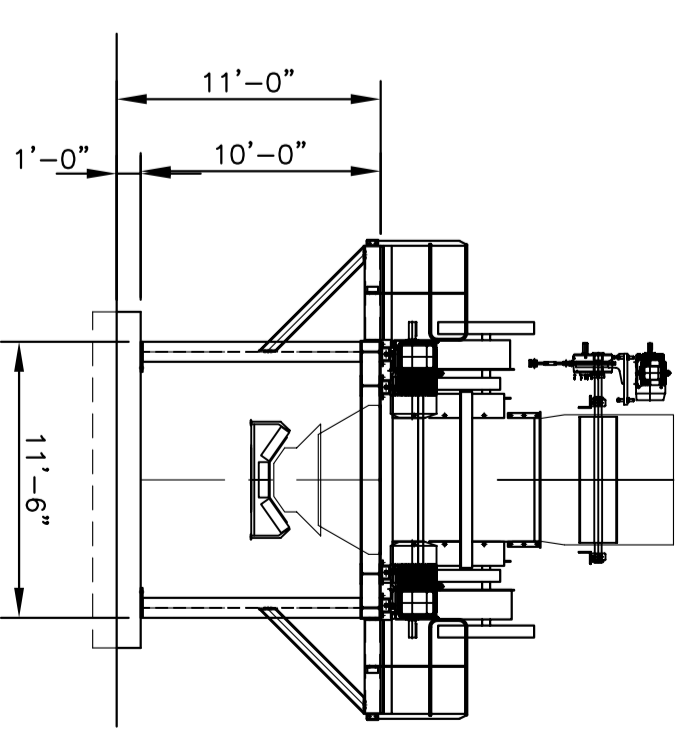


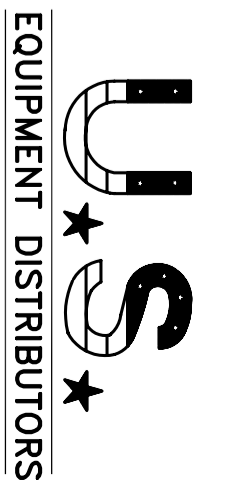
PLAN VIEW
SCALE: $\frac{1}{32}'' = 1'-0''$



PLAN VIEW
SCALE: $\frac{1}{8}'' = 1'-0''$



SECTION B-B
SCALE: $\frac{3}{8}'' = 1'-0''$



U.S. EQUIPMENT DISTRIBUTORS

MINNETONKA, MN 55345
PHONE: (612) 252-0002

SCALE AS NOTED	DATE	BY	DATE
8/6/07	8/6/07		
DRN, PAC, SCD			
APVC			
TRZ			

CRUSHING STATION

NO. D-8565-L